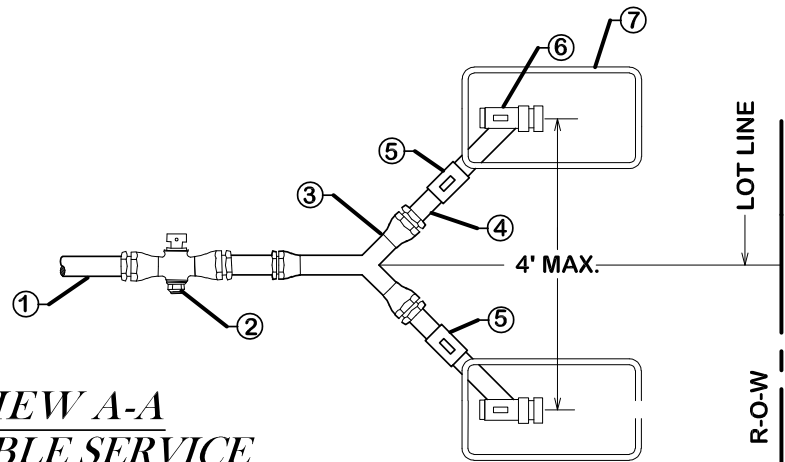


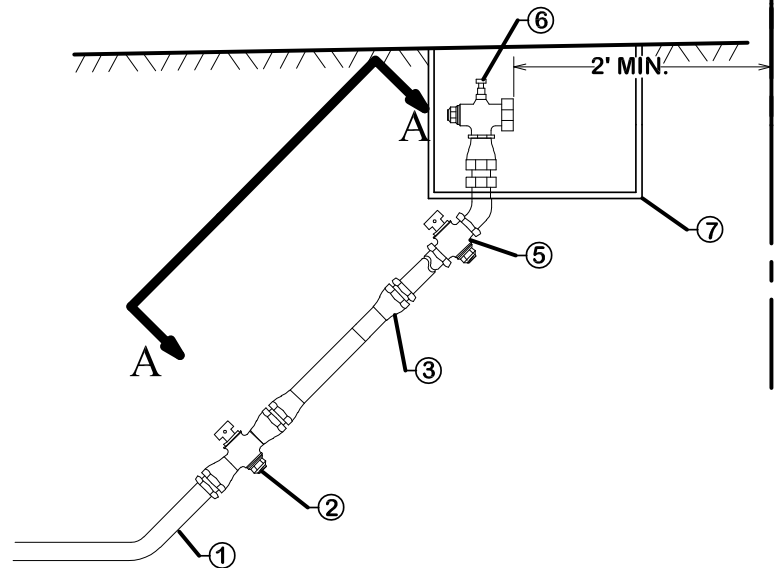
**NOTES:**

- ALL CONNECTIONS TO BE COMPRESSION TYPE.
- MATERIAL USED SHALL BE AS SPECIFIED OR AN APPROVED EQUAL.
- ALL SERVICE WYES & EXTENSIONS ARE TO BE INSTALLED WITH THE MAIN LINE CONSTRUCTION.

- ① Service Tubing: Type K Copper - cu - soft - 1.50"
- ② Ford Ball Valve - B44-666-NL- 1.50"
- ③ Ford 'Y' Branch - Y44-264-NL- 1.50" x 1" x 1"
- ④ Service Tubing: Type K Copper - soft - 1"
- ⑤ Ford Ball Valve - B44-444-NL - 1"
- ⑥ Ford Angle Stop KV43-332W-NL - 1" x 0.75 Meter Nut Swivel
- ⑦ Concrete Meter Box - Provided by COCS



***VIEW A-A  
DOUBLE SERVICE***



CITY OF BRYAN  
*The Good Life, Texas Style.*

**CITY OF COLLEGE STATION  
DOUBLE WATER SERVICE RECONNECTION**

DATE

**DEC 2020**

**B/CS UNIFIED  
STANDARD DETAIL**

DETAIL NO.

**W7-04**



CITY OF COLLEGE STATION