

24" X 24" X 6"
28-DAY CONCRETE
STRENGTH = 2000 psi
WITH #4 BAR AROUND
ALL VALVE BOX.

TRAFFIC RATED COPPERHEAD
SNAKEPIT TEST STATION OR
APPROVED EQUAL

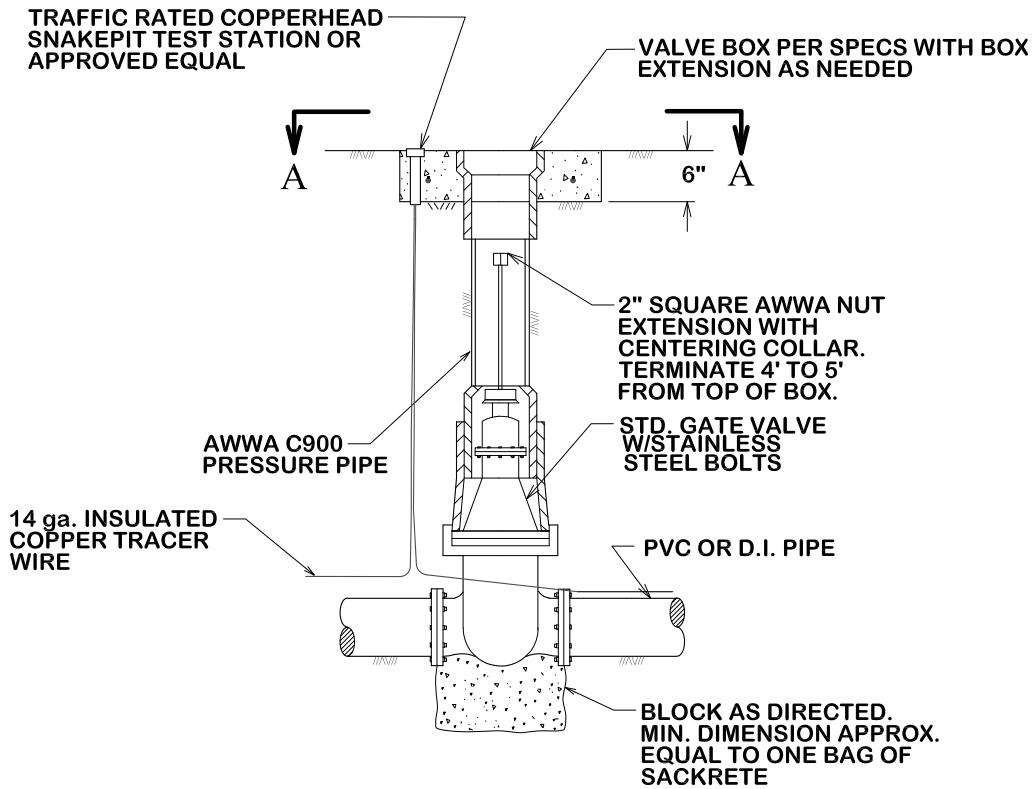
VIEW A - A

NOTE:

1. VALVE EXTENSION TO BE USED ONLY WHEN TOP OF GATE VALVE IS DEEPER THAN 5 FEET FROM FINISHED GRADE.
2. ALL VALVE OPERATING NUT EXTENSIONS ARE TO BE MADE OF STEEL, SIZED AS NOTED, AND PAINTED WITH TWO (2) COATS OF METAL PAINT.
3. EXTENSIONS SHALL BE A MINIMUM OF ONE (1) FOOT LONG.
4. VALVE BOX LIDS LOCATED ON VALVES TO ISOLATE FIRE SUPPRESSION LINES FROM PUBLIC WATER LINES SHALL BE EJ 6800, PRODUCT 06800044 LOCKABLE LID.

TRAFFIC RATED COPPERHEAD
SNAKEPIT TEST STATION OR
APPROVED EQUAL

VALVE BOX PER SPECS WITH BOX
EXTENSION AS NEEDED



AWWA C900
PRESSURE PIPE

2" SQUARE AWWA NUT
EXTENSION WITH
CENTERING COLLAR.
TERMINATE 4' TO 5'
FROM TOP OF BOX.

STD. GATE VALVE
W/STAINLESS
STEEL BOLTS

14 ga. INSULATED
COPPER TRACER
WIRE

PVC OR D.I. PIPE

BLOCK AS DIRECTED.
MIN. DIMENSION APPROX.
EQUAL TO ONE BAG OF
SACKRETE



CITY OF BRYAN
The Good Life, Texas Style.

GATE VALVE & BOX

DATE

APR 2024

**B/CS UNIFIED
STANDARD DETAIL**

DETAIL NO.

W1-00



CITY OF COLLEGE STATION