

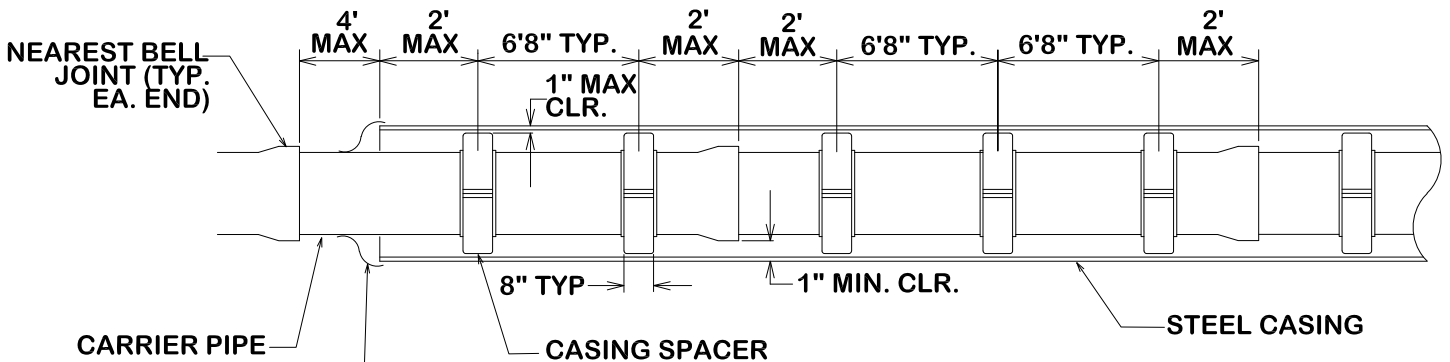
# GENERAL NOTES:

ALL AREAS WHERE EXISTING VEGETATION AND GRASS COVER HAVE BEEN BARED BY CONSTRUCTION SHALL BE ADEQUATELY BLOCK SODDED OR HYDROMULCHED AND WATERED UNTIL GROWTH IS ESTABLISHED. IN DEVELOPED AREAS WHERE GRASS IS PRESENT, BLOCK SOD WILL BE REQUIRED. BARED AREAS SHALL BE SEEDED OR SODDED WITHIN 14 CALENDAR DAYS OF LAST DISTURBANCE.

APPROVED EROSION CONTROL MEASURES MUST BE INSTALLED DURING THE ENTIRE TIME THAT EARTH HAS BEEN BARED BY CONSTRUCTION AND SHALL STAY IN PLACE UNTIL ACCEPTABLE VEGETATIVE GROWTH IS ESTABLISHED AFTER CONSTRUCTION IS COMPLETE AND THEN REMOVED BY CONTRACTOR.

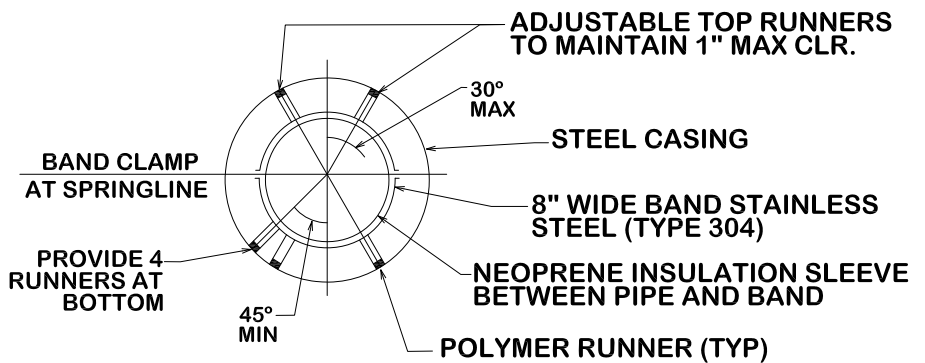
ALL EROSION CONTROL MEASURES SHOULD BE CLEANED OF SILT AFTER EVERY RAIN.

ESTABLISHMENT OF VEGETATION MAY BE A WARRANTY ITEM.



1-PC. PULL-ON WATER TIGHT NEOPRENE END SEAL W/ STAINLESS STEEL CLAMPS "APS" OR "PSI"

**NOTE:**  
 CASING SPACERS - 4 - RUNNER MIN. (THRU 24' DIA CASING) OR 6-RUNNER MIN. (24"-42" DIA. CASING) STAINLESS STL. TYPE304; 8" WIDE BAND W/ POLYMER RUNNERS; CENTERED OR NON-CENTERED; CLEAR BELL, RESTRAINED FROM FLOTATION; INSULATED: "APS, INC., MOD SS18" OR "CASCADE"



## CASING DETAIL



DATE  
**DEC 2020**

**B/CS UNIFIED  
STANDARD DETAIL**

DETAIL NO.  
**S5-03**