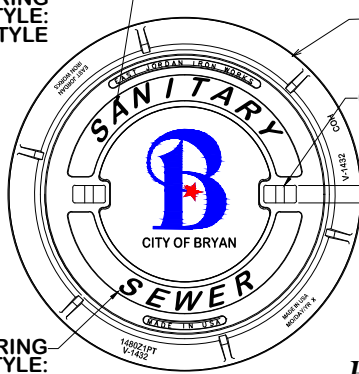


2" [51mm] LETTERING
LETTERING STYLE:
BOOKMAN OLD STYLE



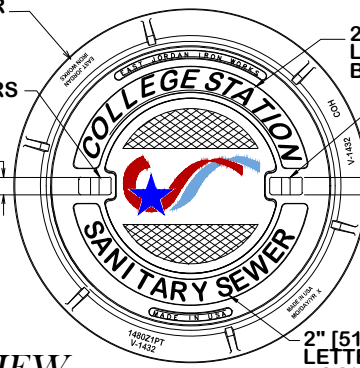
32" COVER

(2) PICKBARS

2" [51MM]

PLAN VIEW

2" [51mm] LETTERING
LETTERING STYLE:
BOOKMAN OLD STYLE

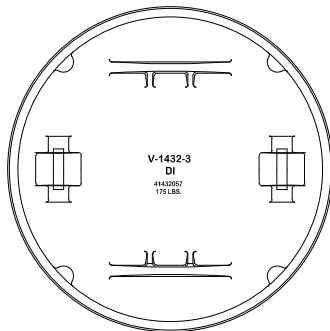


(2) PICKBARS

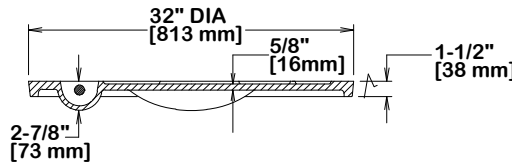
2" [51MM]

2" [51mm] LETTERING
LETTERING STYLE:
BOOKMAN OLD STYLE

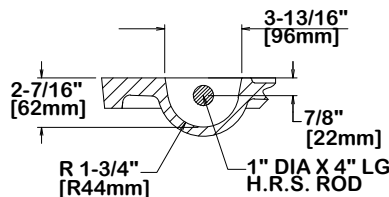
2" [51mm] LETTERING
LETTERING STYLE:
BOOKMAN OLD STYLE



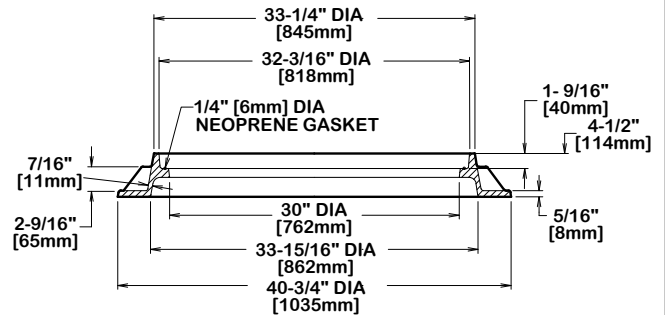
BOTTOM VIEW
OF COVER



COVER SECTION

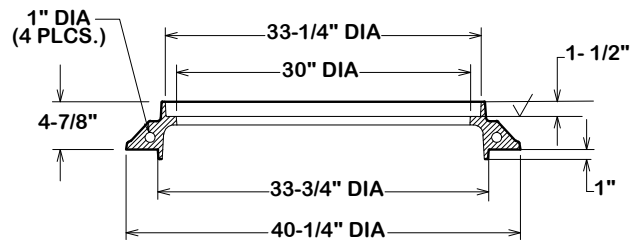


PICKBAR DETAIL



FRAME SECTION

CITY OF BRYAN ONLY - V1420



FRAME SECTION

CITY OF COLLEGE STATION ONLY
MACHINED SURFACE

NOTE:

CITY SPECIFIC SANITARY SEWER LIDS TO BE USED FOR PUBLIC SEWER SYSTEMS ONLY. NOT TO BE USED ON PRIVATE SEWER SYSTEMS.

DUCTILE IRON V-1432

**STANDARD MANHOLE
RING AND COVER**



DATE

JUL 2022

**B/CS UNIFIED
STANDARD DETAIL**

DETAIL NO.

S4-01



CITY OF COLLEGE STATION