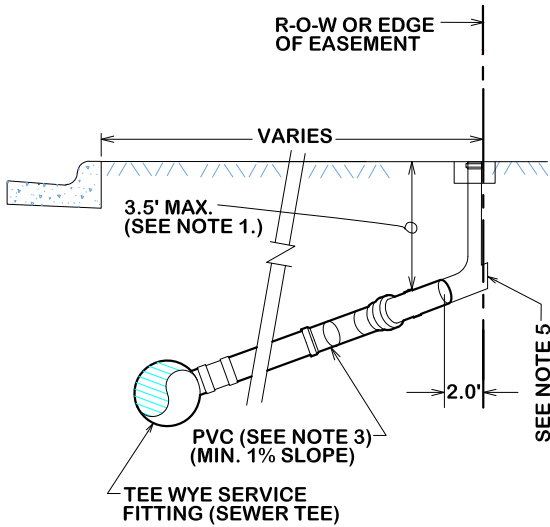
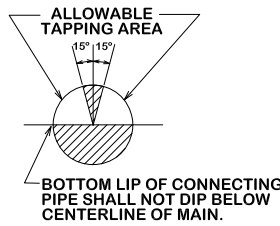
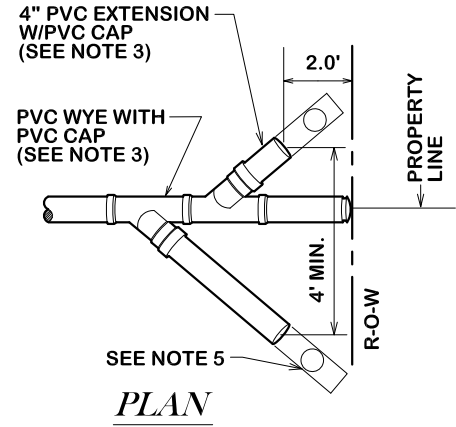
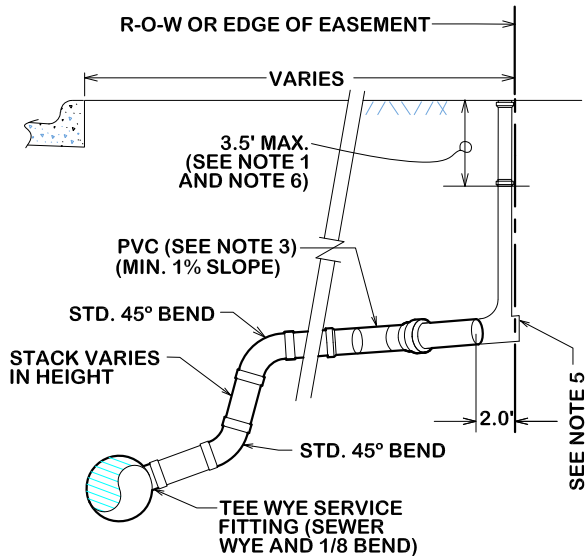


NOTE:

1. WHERE DOUBLE WYE SERVICE ELEVATION IS LESS THAN 2'-7" BELOW PROPOSED BACK OF CURB, MIN. SLAB ELEV. MUST BE SET TO ALLOW SANITARY SEWER SERVICE.
2. MARK EACH SERVICE END WITH METAL "T" POST PAINTED GREEN.
3. ALL MATERIAL SHALL BE ASTM D3034 SDR26 W/ GASKETS
4. ALL SERVICE CONNECTIONS & EXTENSIONS ARE TO BE INSTALLED WITH THE MAIN LINE CONSTRUCTION.
5. A CLEAN OUT IS REQUIRED AND WILL BE INSTALLED BY THE PLUMBER AT THE ROW FOR EACH **LONG AND SHORT SIDE** SERVICE.
6. WHEN SERVICE CONNECTION IS DEEP, CONTRACTOR MUST PLACE A VERTICAL STACK THAT SHALL BE BROUGHT WITHIN 3-1/2 FEET BELOW NATURAL GROUND.



STANDARD CONNECTION PROFILE



DEEP CONNECTION PROFILE



CITY OF BRYAN
The Good Life, Texas Style.

CITY OF COLLEGE STATION
SANITARY SEWER SERVICE CONNECTION

DATE

DECEMBER 2020

**B/CS UNIFIED
STANDARD DETAIL**

DETAIL NO.

S7-01



CITY OF COLLEGE STATION