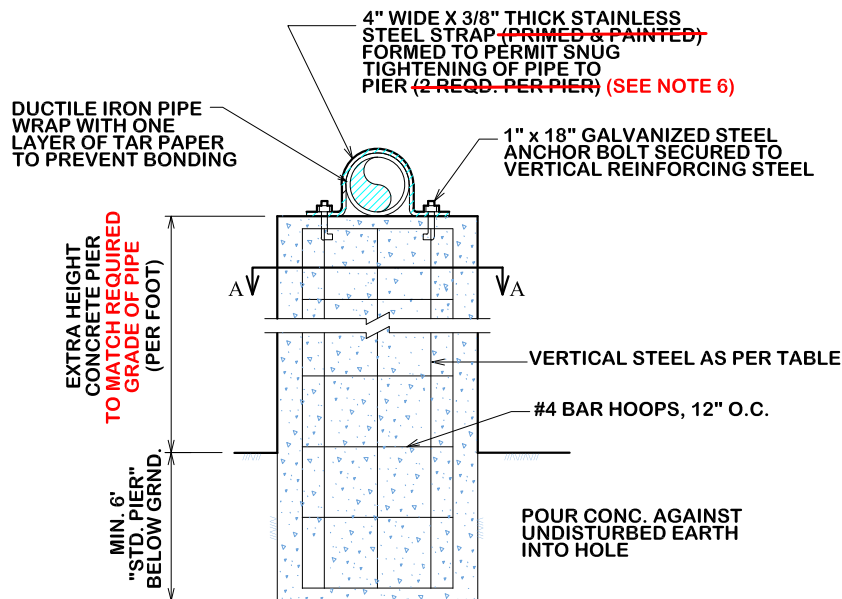
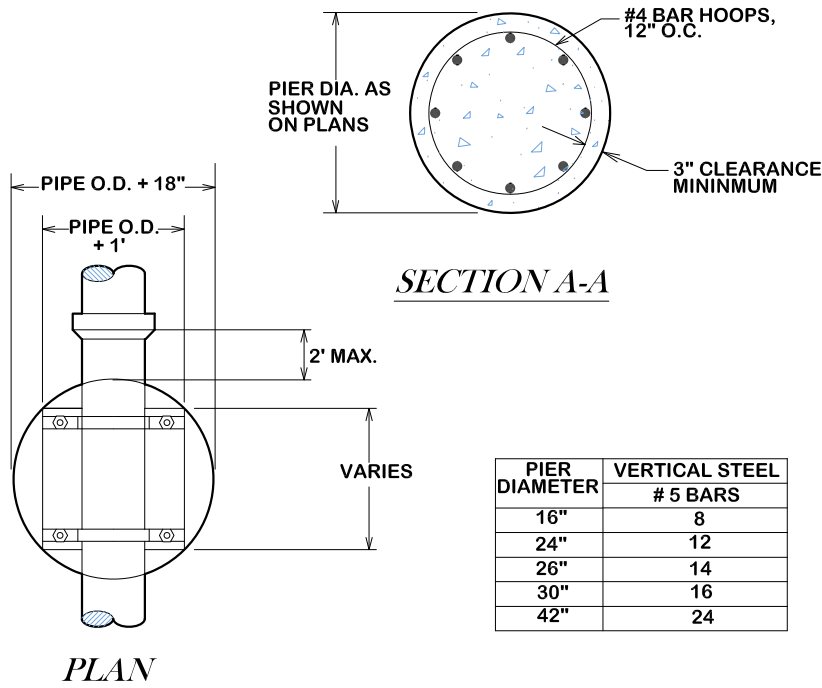


NOTES:

1. EACH PIER SHALL BE COMPLETED IN A SINGLE CONTINUOUS POUR.
2. CHAMFER EDGES 3/4".
3. CONTRACTOR SHALL CONSTRUCT CONCRETE PIER TO A MINIMUM DEPTH OF 6' OR TO A DEPTH WHERE A GOOD BEARING SOIL IS ENCOUNTERED.
4. ALL SHAFTS SHALL BE BORED VERTICALLY PLUMB WITHIN 2" TOLERANCE.
5. ALL INFORMATION SHOWN IS CITY MINIMUM. ALL PIERS SHALL BE DESIGNED BY A PROFESSIONAL ENGINEER.
6. NUMBER OF STRAPS DEPENDENT ON SIZE OF PIERS. MIN. 1 STRAP PER PIER.



CITY OF BRYAN
The Good Life, Texas Style.

TYPICAL CONCRETE DRILLED PIER FOR AERIAL SEWER

DATE

DECEMBER 2020

**B/CS UNIFIED
STANDARD DETAIL**

DETAIL NO.

S4-00



CITY OF COLLEGE STATION