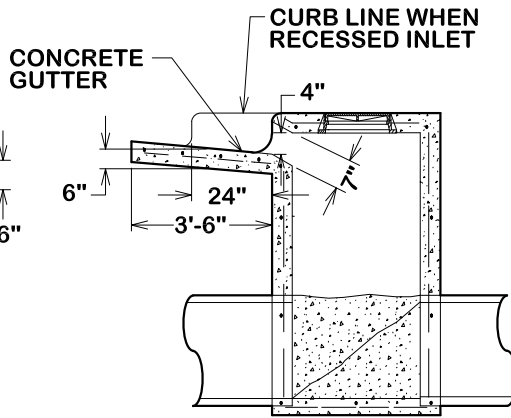


THROAT DETAIL



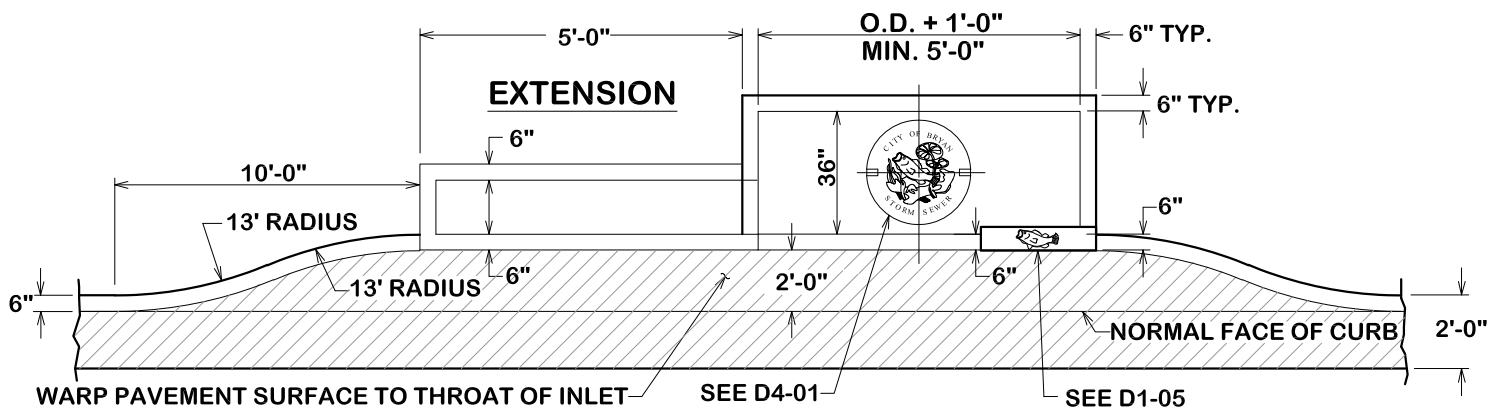
SECTION A-A

GENERAL NOTES:

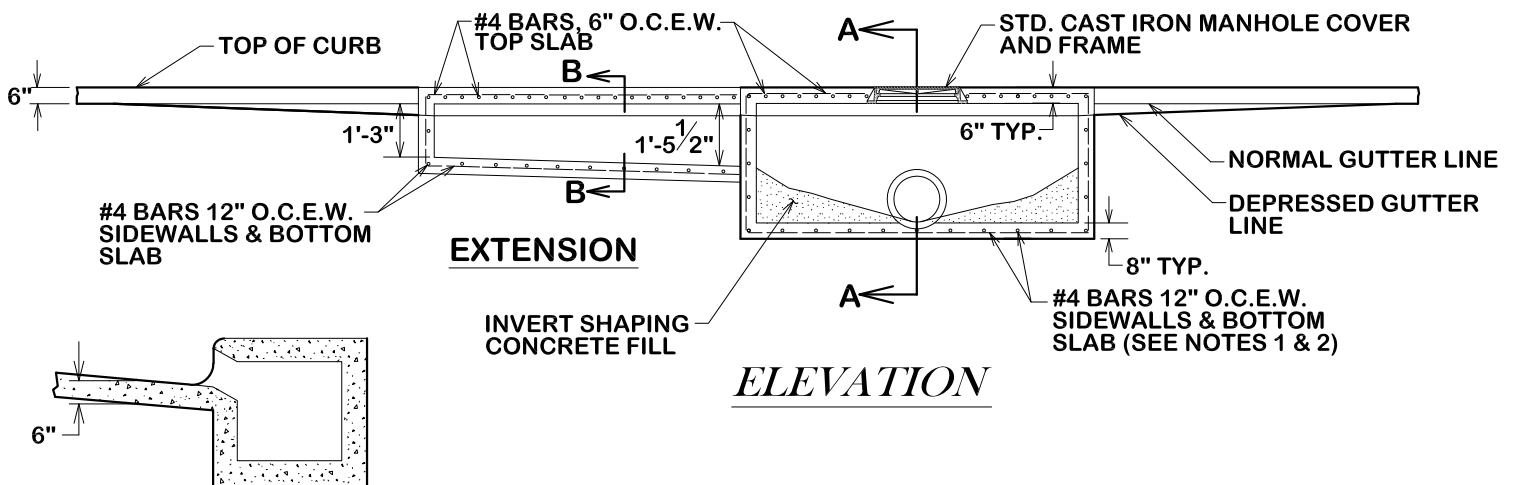
1. BASE THICKNESS AND FOUNDATION SHALL BE AS FOLLOWS:

INLET DEPTH (FT.) (MEASURED FROM FLOWLINE TO FINAL GRADE)	BASE THICKNESS
0 - 12	8"
12 AND OVER	12"

2. DEPTHS GREATER THAN 12' WILL REQUIRE 2 MATS OF REINFORCING STEEL IN THE BASE.



PLAN VIEW



ELEVATION

SECTION B-B

28-DAY CONCRETE STRENGTH = 3500 psi

 CITY OF BRYAN <i>The Good Life, Texas Style.</i>	<h1>SINGLE RECESSED CURB INLET & CURB INLET W/EXTENSION</h1>		 CITY OF COLLEGE STATION
	DATE DECEMBER 2020	B/CS UNIFIED STANDARD DETAIL	

