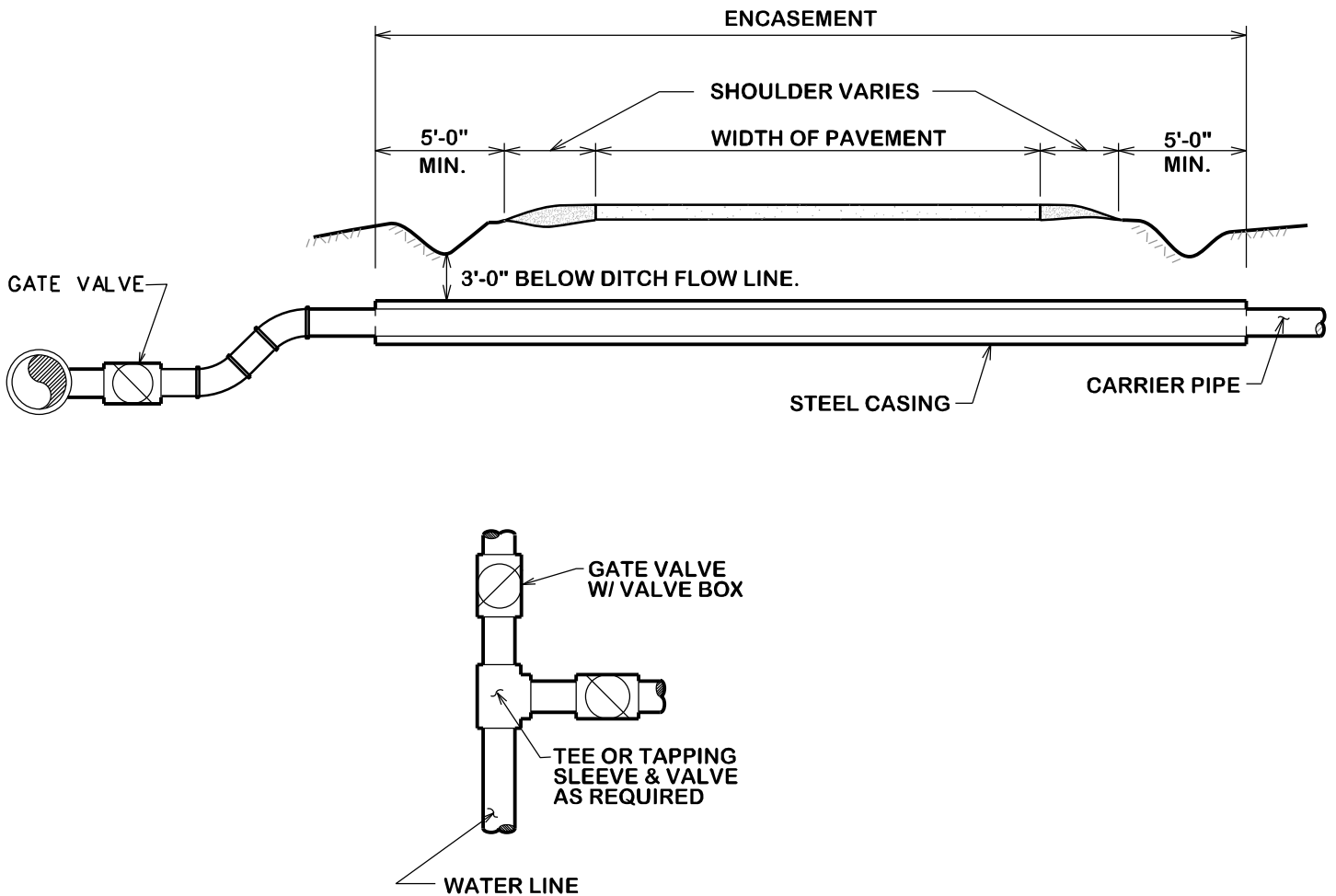


NOTE:

1. FOR MORE INFORMATION ON WATER AND SEWER LINE CROSSING SEE CITY STANDARD SPECIFICATION FOR WATER AND SEWER LINE CONSTRUCTION.
2. STEEL CASING SHALL BE AS SPECIFIED IN THE TECHNICAL SPECIFICATIONS.
3. DRY BORING IS REQUIRED.
4. PIPE CROSSING A ROADWAY SHALL BE INSTALLED ABOVE THE MAIN IT TIES INTO WITH A BEND SUCH THAT THE CARRIER PIPE CAN BE PULLED ABOVE THE PARALLEL MAIN.



TYPICAL RURAL STREET CROSSING



DATE
AUG. 2012

B/CS UNIFIED STANDARD DETAIL

DETAIL NO.
W4-01

