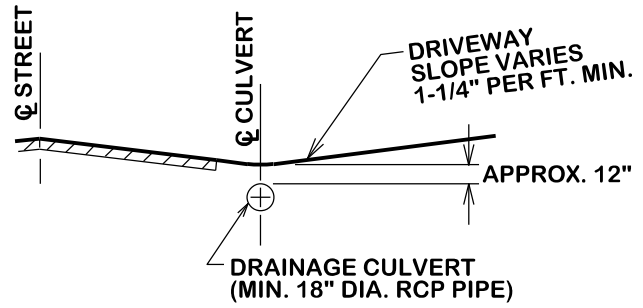
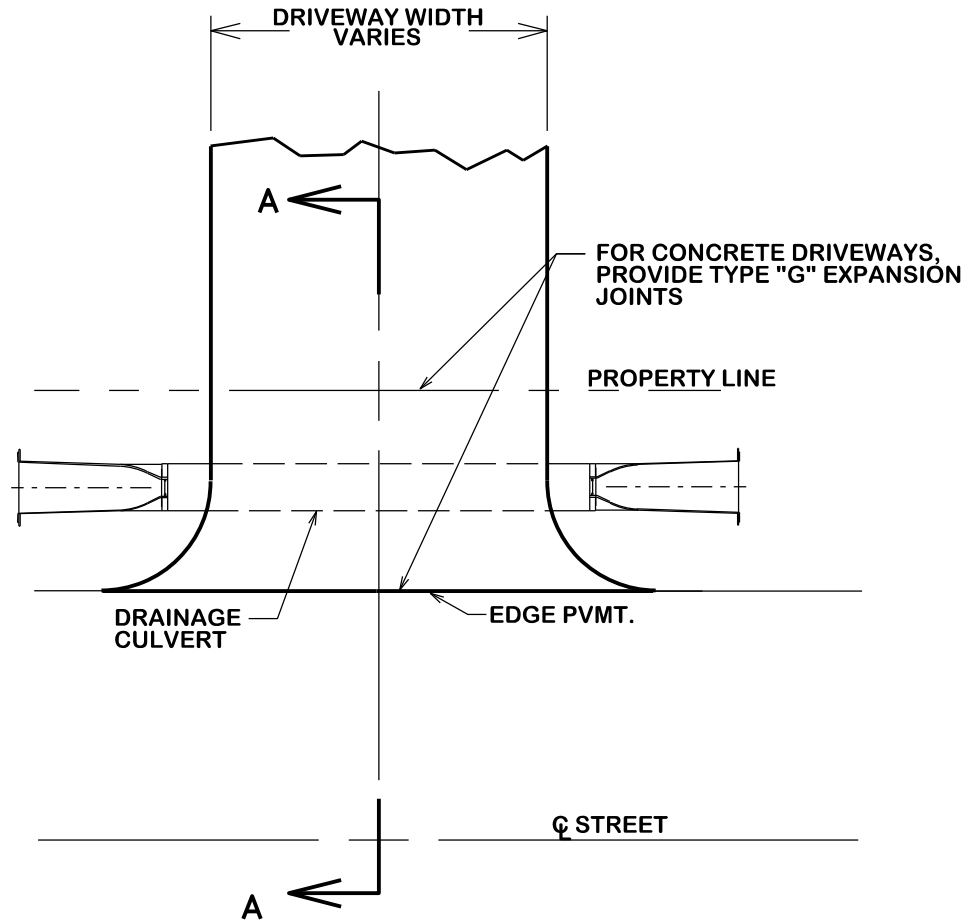


**NOTE:**

- 1. LENGTH OF DRAINAGE PIPE FOR RESIDENTIAL DRIVES IS 36' MAX & 20' MIN.
- 2. ALL DRIVEWAY PIPES WITHIN ROW MUST HAVE CONCRETE SLOPED END SECTIONS (6:1 SLOPE) OR APPROVED EQUAL.



SECTION A-A



CITY OF BRYAN  
*The Good Life, Texas Style.*

# TYPICAL DRIVEWAY ENTRANCE WITH CULVERT

DATE

**OCT. 2016**

**B/CS UNIFIED  
STANDARD DETAIL**

DETAIL NO.

**ST2-02**



CITY OF COLLEGE STATION