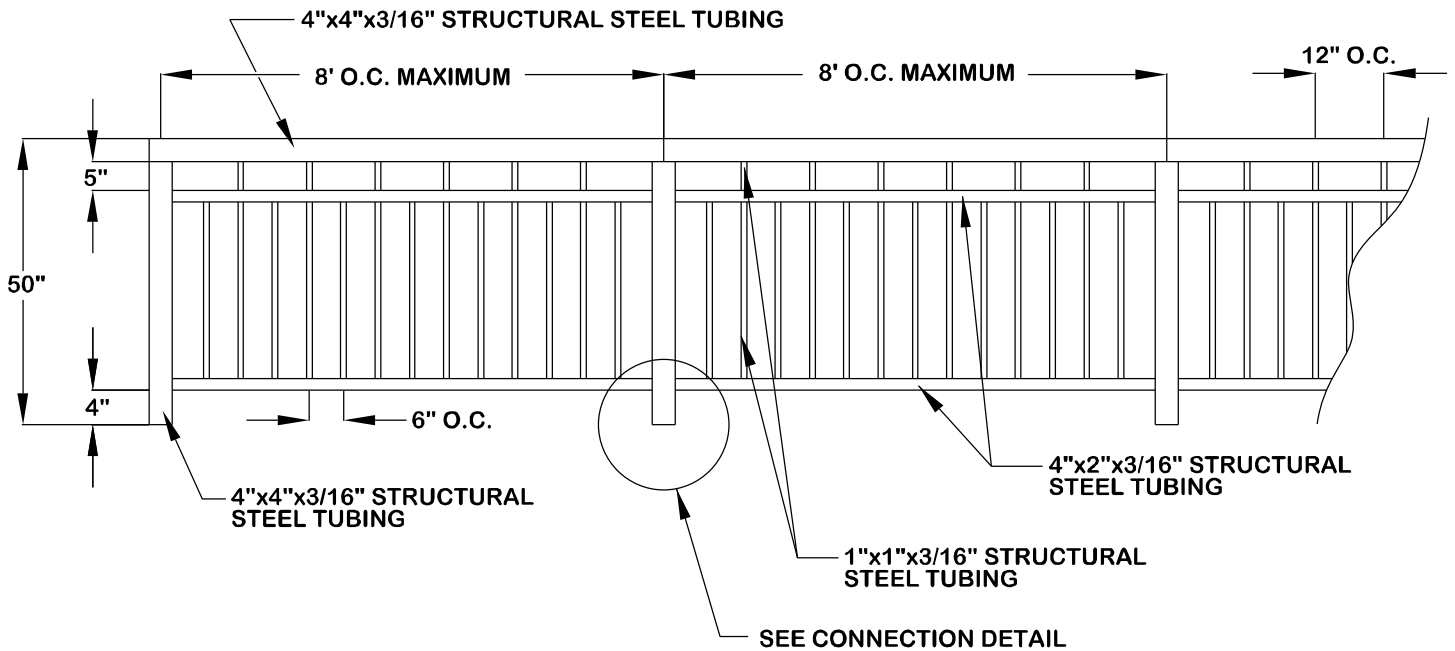


CONNECTION DETAIL



CITY OF BRYAN  
*The Good Life, Texas Style.*

# TYPICAL PEDESTRIAN GUARDRAIL

DATE

**AUG. 2012**

**B/CS UNIFIED  
STANDARD DETAIL**

DETAIL NO.

**SW1-01**



CITY OF COLLEGE STATION