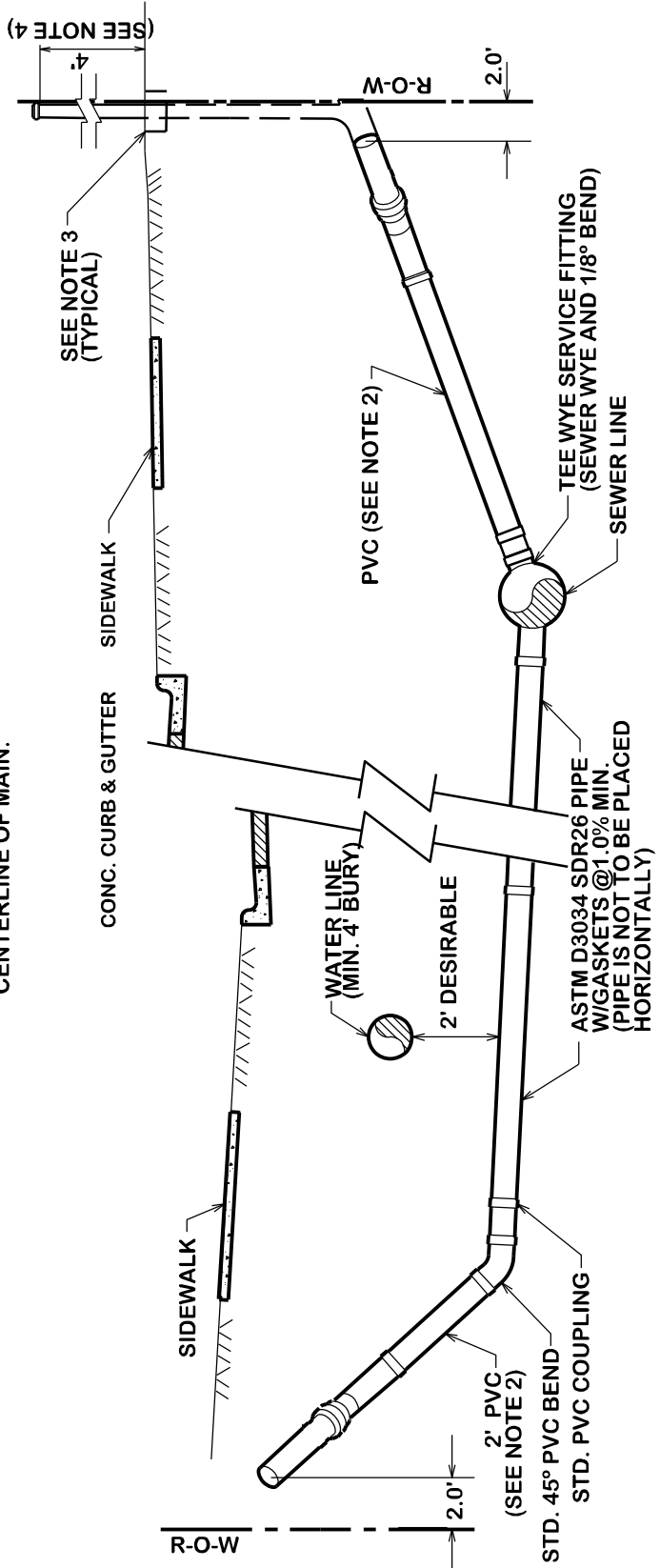
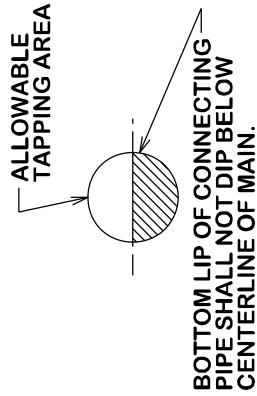
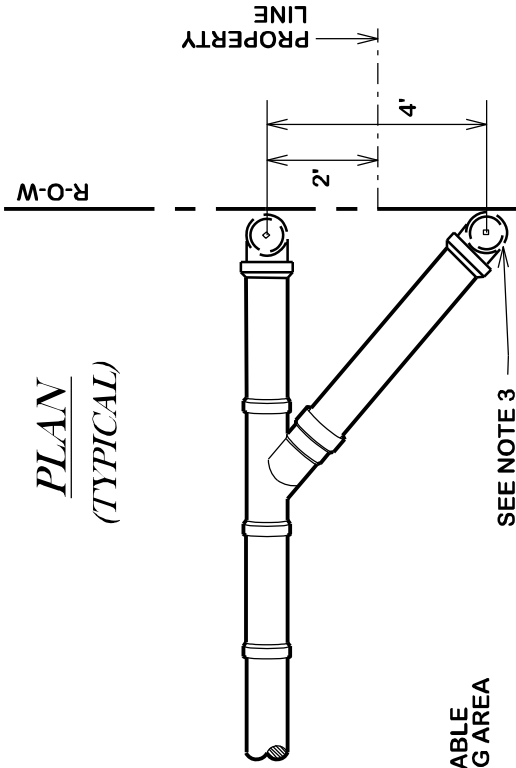


NOTE:

1. ALL MATERIAL SHALL BE ASTM D3034 SDR26 W/ GASKETS
2. ALL SERVICE CONNECTIONS & EXTENSIONS ARE TO BE INSTALLED WITH THE MAIN LINE CONSTRUCTION.
3. A CLEAN OUT IS REQUIRED AND WILL BE INSTALLED BY THE CONTRACTOR AT THE ROW FOR EACH SERVICE. CLEANOUT SHALL INCLUDE A BRASS PLUG.
4. CLEANOUTS SHALL BE EXTENDED 4 FEET ABOVE NATURAL GROUND. CLEANOUT CAP FITTING SHALL BE PLACED ON TOP.
5. LOT CORNERS SHALL BE MARKED WITH A LATH UNDER THE SUPERVISION OF A RPLS UPON COMPLETION OF CONSTRUCTION

PLAN
(TYPICAL)



PROFILE



CITY OF BRYAN
The Good Life, Texas Style.

**CITY OF BRYAN
SEWER SERVICE LINE CROSSING**

DATE

OCT. 2012

**B/CS UNIFIED
STANDARD DETAIL**

DETAIL NO.

S6-00



CITY OF COLLEGE STATION