

SPECIAL CONDITIONS

1. METER REGISTER SHALL BE NO DEEPER THAN 12 INCHES BELOW FINISHED GRADE.
2. FLOOR OF VAULT WILL BE A MINIMUM OF 6 INCHES FROM BOTTOM OF ANY PIPING APPARATUS OR METER WITHIN THE VAULT.
3. REINFORCED CONCRETE VAULT BASE (FLOOR) SHALL BE CONSTRUCTED USING A STANDARD FIVE SACK CONCRETE MIX AND REINFORCING COMPRISED OF #3 REBAR ON 12 INCH CENTERS WITH A MINIMUM BASE THICKNESS OF 6 INCHES.
4. SET SCREW RETAINER GLANDS SHALL BE INSTALLED AT EACH FITTING ON MECHANICAL JOINT PIPE.
5. VALVES SHALL MEET THE CITY SPECIFICATIONS FOR VALVES.
6. THERE SHALL BE NO PIPING UNDER THE FLOOR OF THE VAULT.

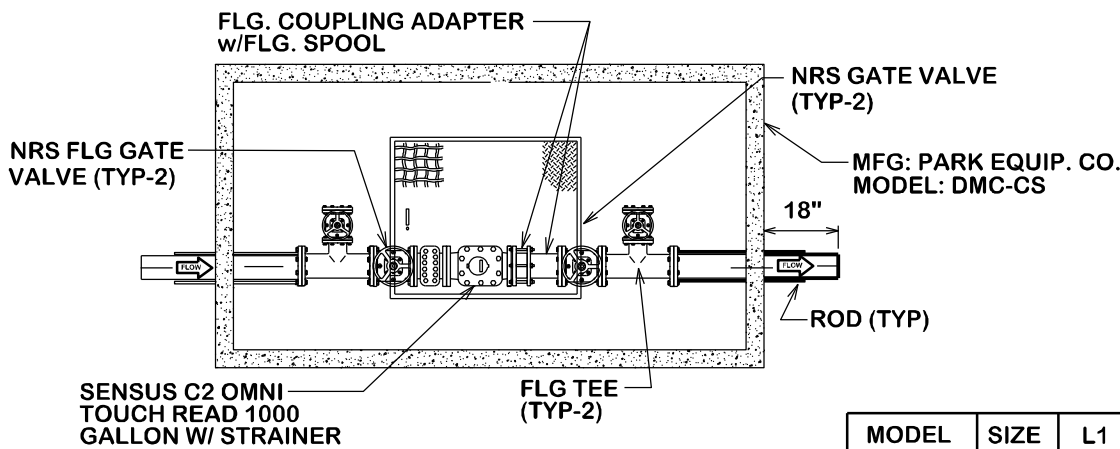
APPROVED 3" OR LARGER COMPOUND METERS, VAULTS & MATERIALS

APPROVED - SENSUS SRH (U. S. GALLONS) METERS

APPROVED - VAULTS
 PARK DMC-BR
 PRE-CAST CONCRETE
 VAULT W/ ADEQUATE
 ACCESS AND VAULT
 DIMENSIONS FOR METER
 SELECTED

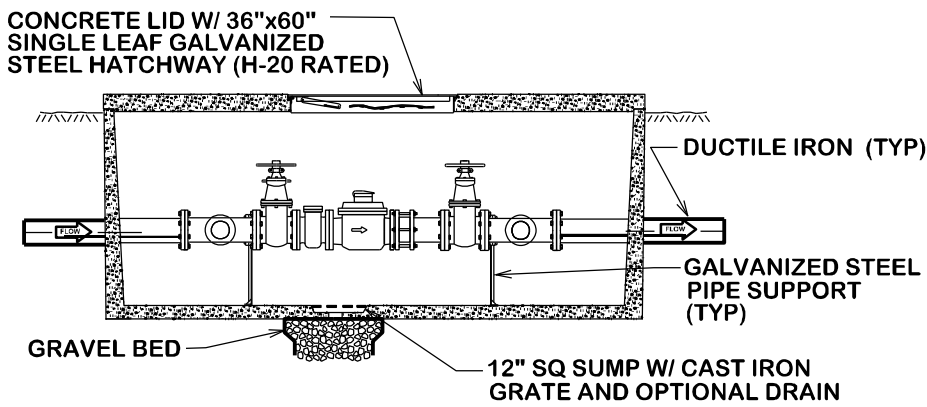
APPROVED - MATERIALS
 DUCTILE IRON PIPE WITH
 MECHANICAL JOINT. SET
 SCREW RETAINER GLANDS
 WILL BE BASED ON ALL M.J.
 FITTINGS.

ANY DEVIATIONS FROM THE ABOVE SPECIAL CONDITIONS OR APPROVED METERS, VAULTS OR MATERIALS MUST BE SUBMITTED TO THE DIVISION MANAGER, WATER SERVICES, 72 HOURS PRIOR TO ANTICIPATED DEVIATION.



PLAN VIEW

MODEL	SIZE	L1	W1	H1	WEIGHT LBS
DMC-CS3	3"	8'-8"	5'-0"	4'-6"	12,000
DMC-CS4	4"	8'-8"	5'-0"	4'-6"	12,000
DMC-CS6	6"	11'-0"	6'-0"	4'-9"	12,000



ELEVATION VIEW



CITY OF BRYAN
 The Good Life, Texas Style

**CITY OF COLLEGE STATION
 METER VAULT ASSEMBLY**

DATE

AUG. 2012

**B/CS UNIFIED
 STANDARD DETAIL**

DETAIL NO.

W5-00



CITY OF COLLEGE STATION