

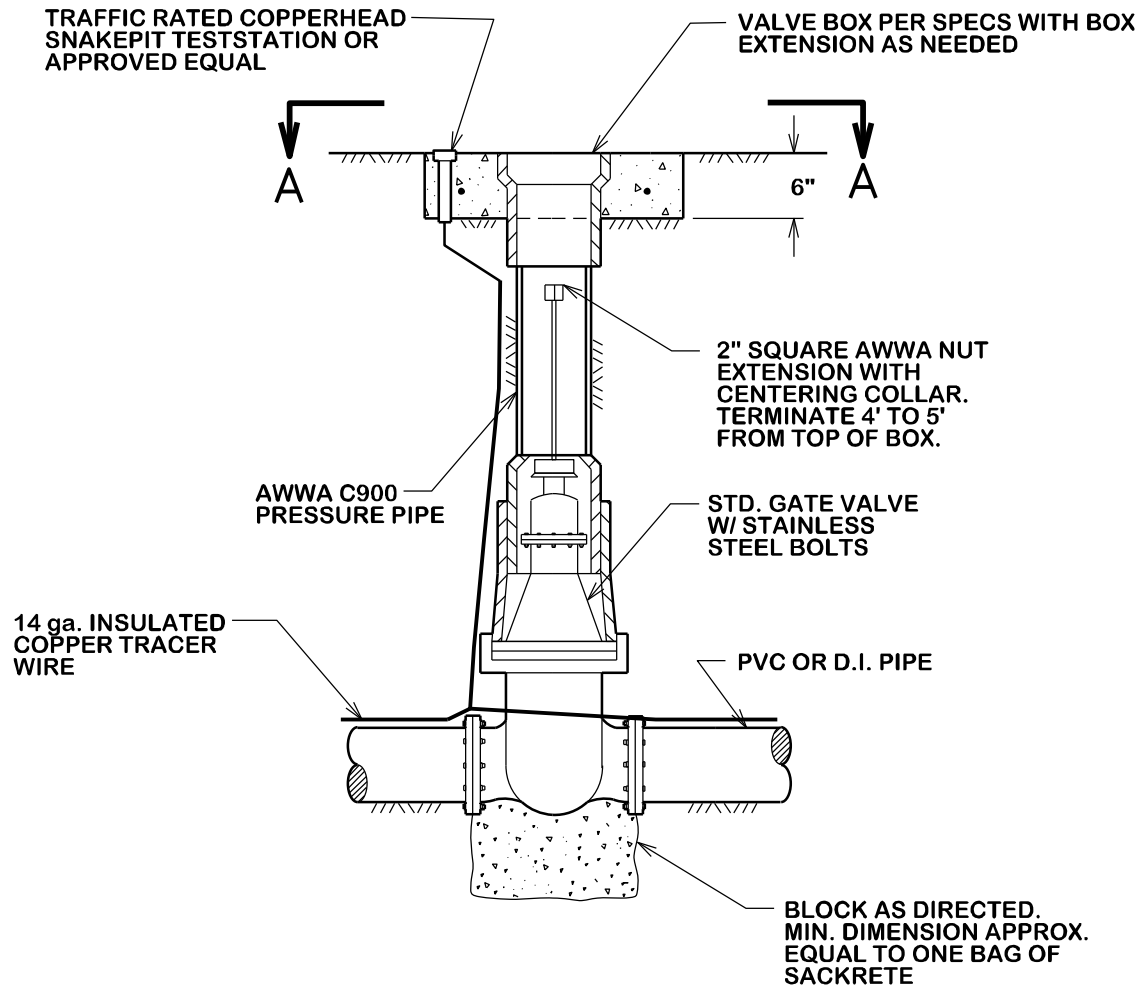
24" X 24" X 6"
28 DAY CONCRETE
STRENGTH = 2000 psi
WITH #4 BAR AROUND
ALL VALVE BOX.

TRAFFIC RATED COPPERHEAD
SNAKEPIT TEST STATION OR
APPROVED EQUAL

VIEW A - A

NOTE:

1. VALVE EXTENSION TO BE USED ONLY WHEN TOP OF GATE VALVE IS DEEPER THAN 5 FEET FROM FINISHED GRADE.
2. ALL VALVE OPERATING NUT EXTENSIONS ARE TO BE MADE OF STEEL, SIZED AS NOTED, AND PAINTED WITH TWO (2) COATS OF METAL PAINT.
3. EXTENSIONS SHALL BE A MINIMUM OF ONE (1) FOOT LONG.
4. VALVE BOX LIDS LOCATED ON VALVES TO ISOLATE FIRE SUPPRESSION LINES FROM PUBLIC WATER LINES SHALL BE AMPRO USA, LL562 LOCKABLE LID.



GATE VALVE & BOX



DATE
AUG. 2012

**B/C/S UNIFIED
STANDARD DETAIL**

DETAIL NO.
W1-00

