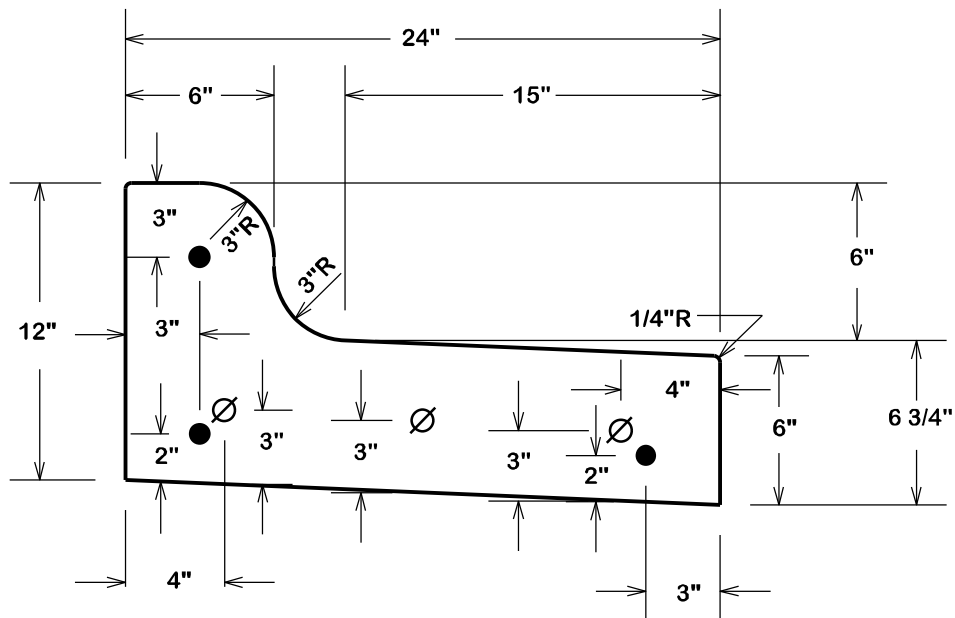


NOTE:

TYPE "G" EXPANSION JOINTS IN CURB & GUTTER SHALL BE SPACED AT A MAXIMUM DISTANCE OF 40' APART AND AT ALL RADIUS POINTS, P.T.'s AND P.C.'s. TYPE "B" CONTACT JOINTS IN CURB & GUTTER SHALL BE SPACED AT A MAXIMUM DISTANCE OF 10' APART.



- = #4 BARS
- ∅ = 3/4" X 18" SMOOTH EXPANSION DOWELS

TYPICAL COMBINED SPILL CURB



DATE
AUG. 2012

**B/CS UNIFIED
STANDARD DETAIL**

DETAIL NO.
ST1-04

