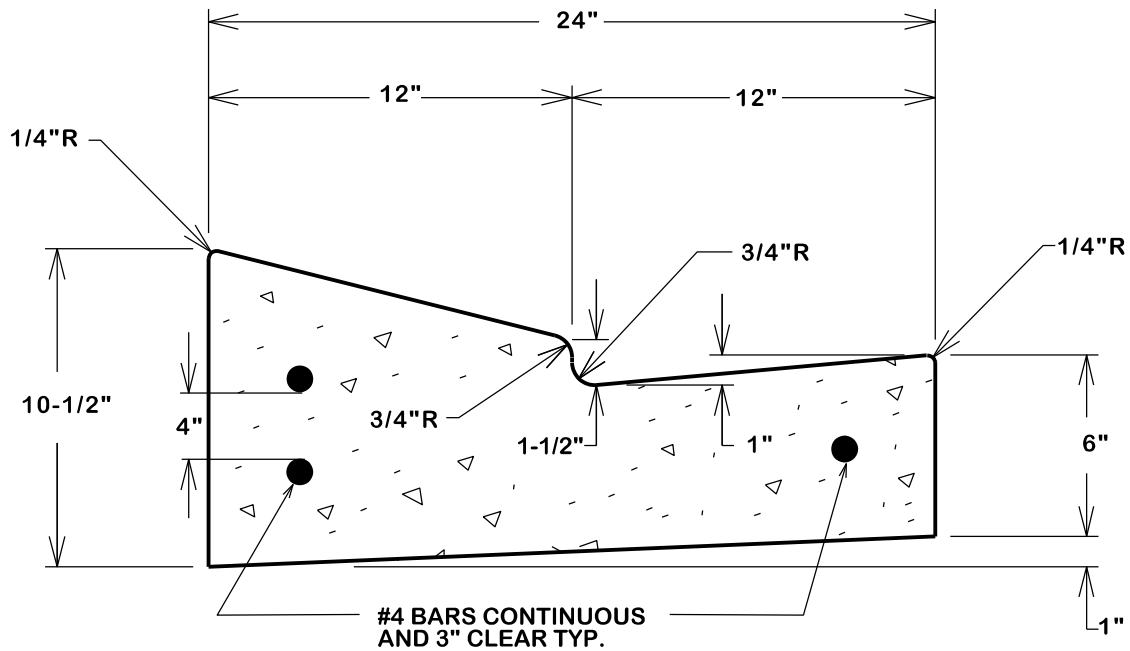


NOTE:

TYPE "G" EXPANSION JOINTS IN CURB & GUTTER SHALL BE SPACED AT A MAXIMUM DISTANCE OF 40' APART AND AT ALL RADIUS POINTS, P.T.'s AND P.C.'s. TYPE "B" CONTACTION JOINTS IN CURB & GUTTER SHALL BE SPACED AT A MAXIMUM DISTANCE OF 10' APART.



24" LAY DOWN GUTTER SECTION



DATE

OCT. 2016

**B/CS UNIFIED
STANDARD DETAIL**

DETAIL NO.

ST1-00



CITY OF COLLEGE STATION