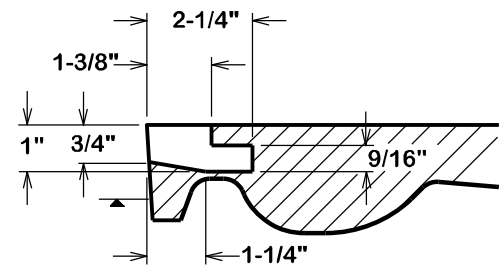
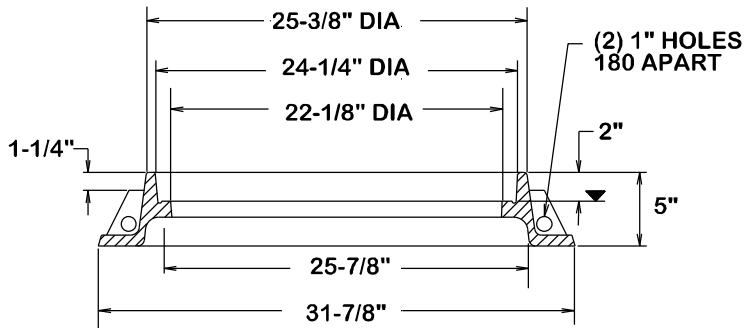


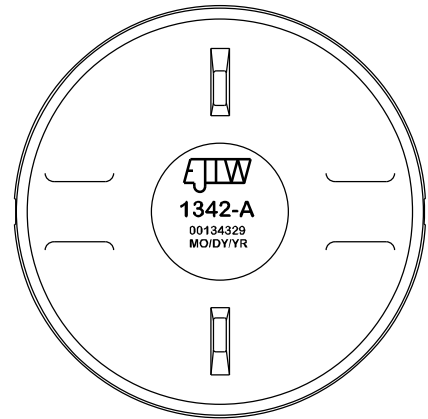
COVER SECTION



PICK HOLE DETAIL



FRAME SECTION



*BOTTOM VIEW
OF COVER*

NOTE:
STORM SEWER LIDS TO BE
USED FOR PUBLIC STORM
SEWER SYSTEMS ONLY.
NOT TO BE USED ON PRIVATE
STORM SEWER SYSTEMS.

1" LETTERING
(RECESSED FLUSH)

1" LETTERING
LETTERING STYLE:
BOOKMAN OLD STYLE
(RECESSED FLUSH)

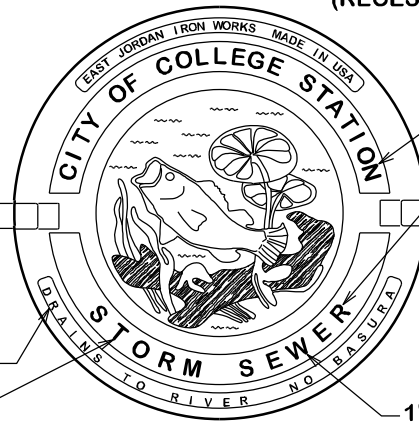


COVER FACE

1-1/2"

1/2" LETTERS

1" LETTERING
(RECESSED FLUSH)



COVER FACE

1" LETTERING
(RECESSED FLUSH)



CITY OF BRYAN
The Good Life, Texas Style.

**STORM SEWER
MANHOLE RING AND COVER
24" DIA. DUCTILE IRON V-1342-A**

DATE

AUG. 2012

**B/CS UNIFIED
STANDARD DETAIL**

DETAIL NO.

D4-01



CITY OF COLLEGE STATION