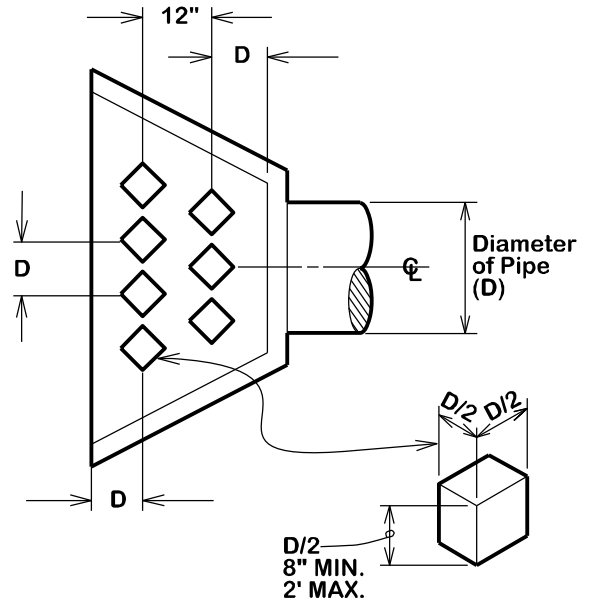
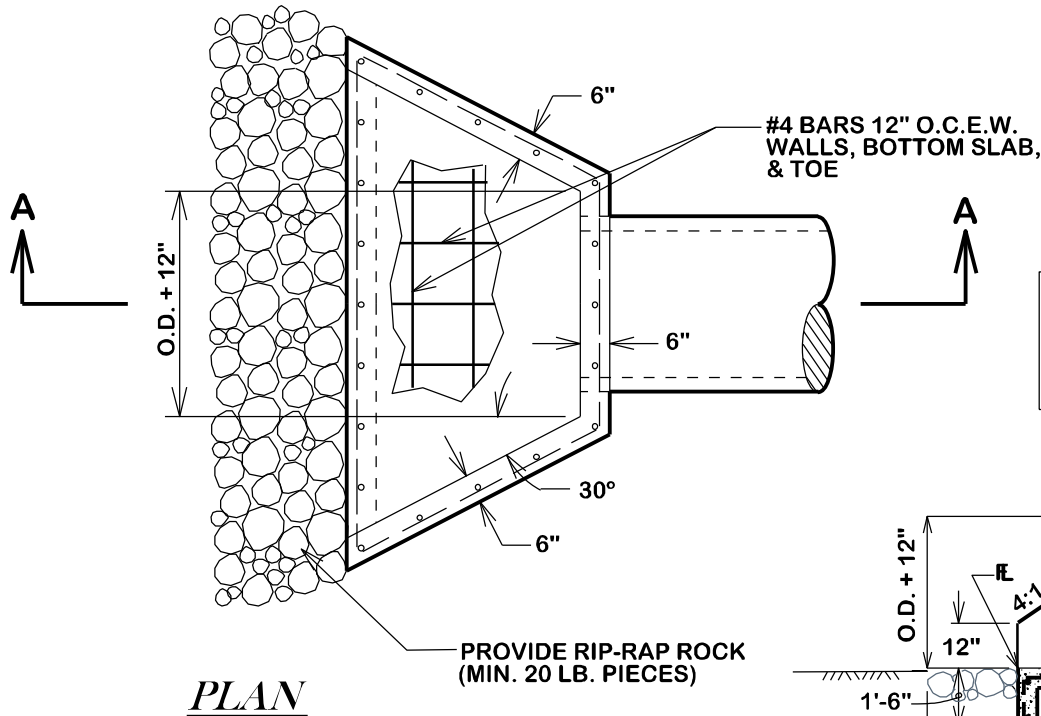


DISSIPATOR BLOCK LOCATION



DISSIPATOR BLOCK

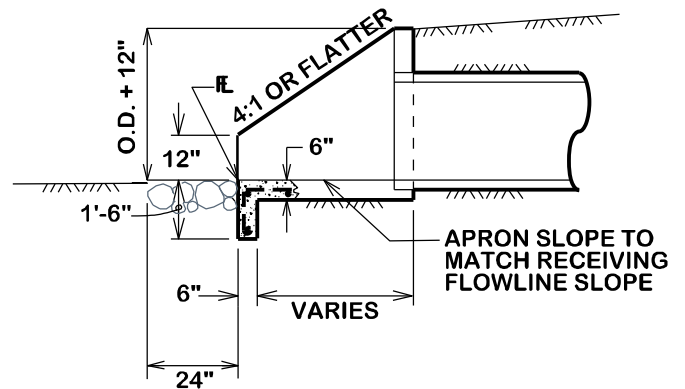


PLAN

MINIMUM DISTANCE BETWEEN TWO PIPES

18" TO 36" - 12" APART
48" OR LARGER - 18" APART

28-DAY CONCRETE STRENGTH = 3000 psi



SECTION A-A



CITY OF BRYAN
The Good Life, Texas Style.

TYPICAL CONCRETE HEADWALL & ENDWALL WITH WINGS

DATE

AUG. 2012

**B/CS UNIFIED
STANDARD DETAIL**

DETAIL NO.

D3-00



CITY OF COLLEGE STATION