

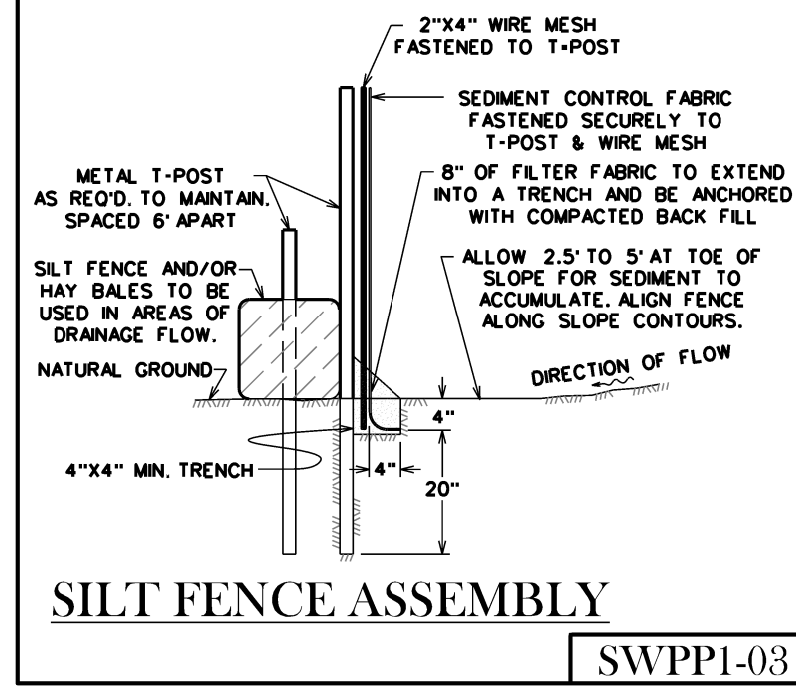
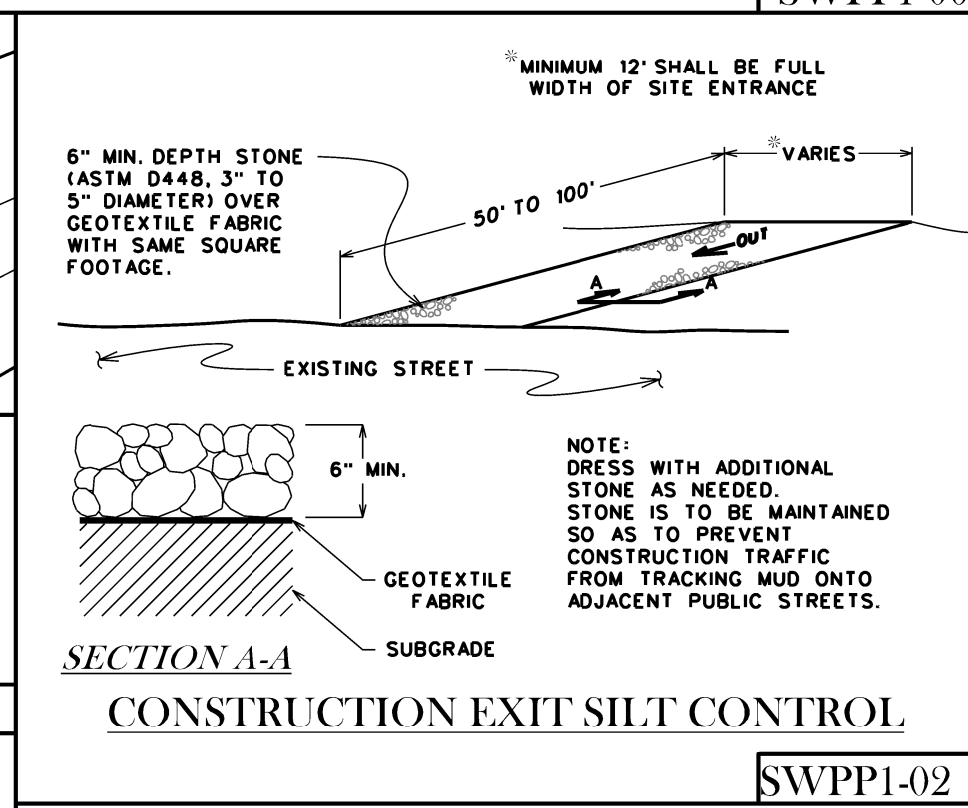
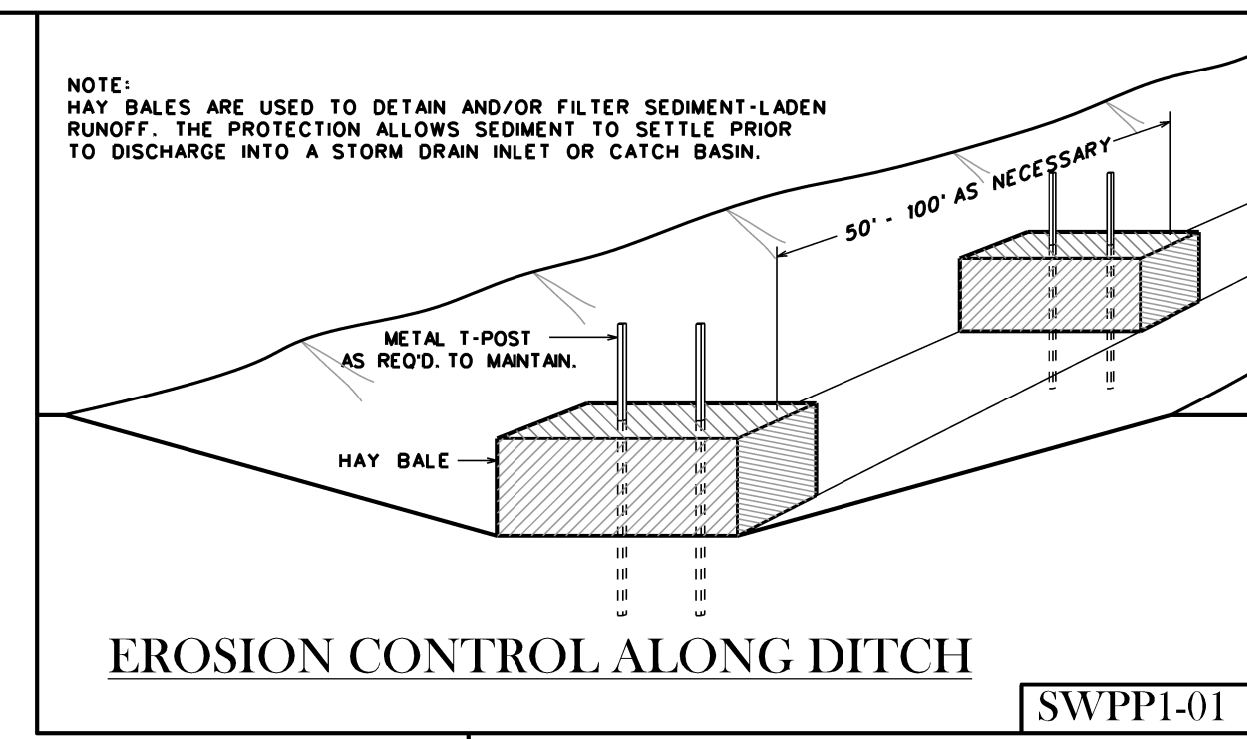
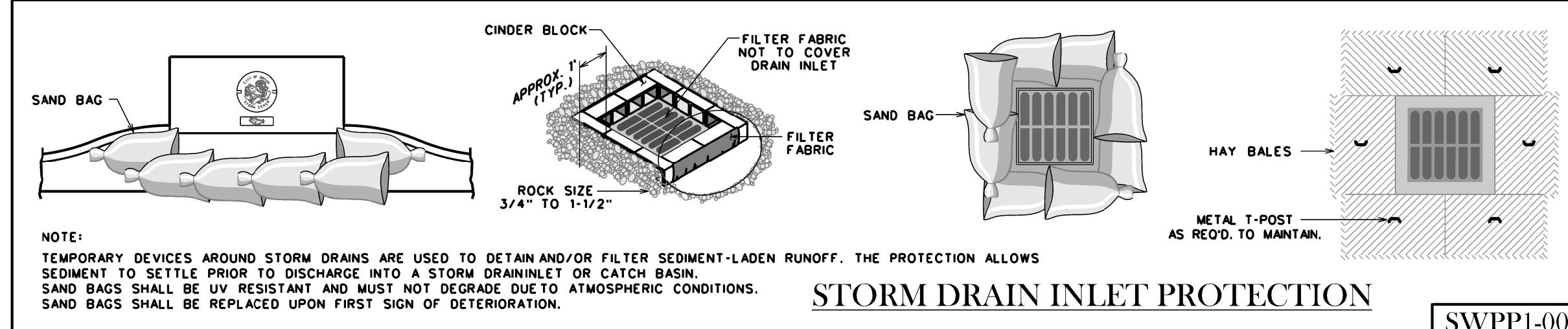
REVISIONS:

**BRYAN - COLLEGE STATION
STANDARD STORM WATER
POLLUTION PREVENTION DETAILS**



DRAWN BY: C.L.M.
DATE: 01-01-09
SCALE: N T S
APPROVED: W. P. K.

FIGURE:
SWPP
SHEET 1 OF 1



GENERAL NOTES:

ALL AREAS WHERE EXISTING VEGETATION AND GRASS COVER HAVE BEEN BARRED BY CONSTRUCTION SHALL BE ADEQUATELY BLOCK SODED OR HYDROSEEDED AND WATERED UNTIL GRASS GROWTH IS ESTABLISHED. IN DEVELOPED AREAS WHERE GRASS IS PRESENT, BLOCK SOD WILL BE REQUIRED. BARRED AREAS SHALL BE SEED OR SODED WITHIN 14 CALENDAR DAYS OF LAST DISTURBANCE.

APPROVED EROSION CONTROL MEASURES MUST BE INSTALLED DURING THE ENTIRE TIME THAT EARTH HAS BEEN BARRED BY CONSTRUCTION AND SHALL STAY IN PLACE UNTIL ACCEPTABLE VEGETATIVE GROWTH IS ESTABLISHED AFTER CONSTRUCTION IS COMPLETE AND THEN REMOVED BY CONTRACTOR.

ALL EROSION CONTROL MEASURES SHOULD BE CLEANED OF SILT AFTER EVERY RAIN.