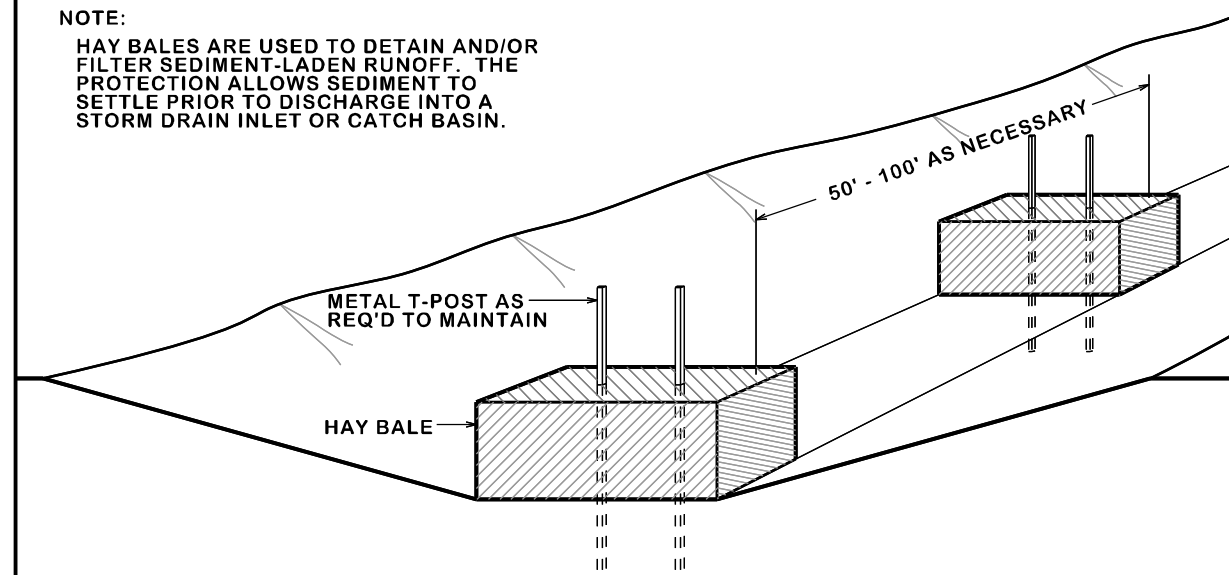


STORM DRAIN INLET PROTECTION

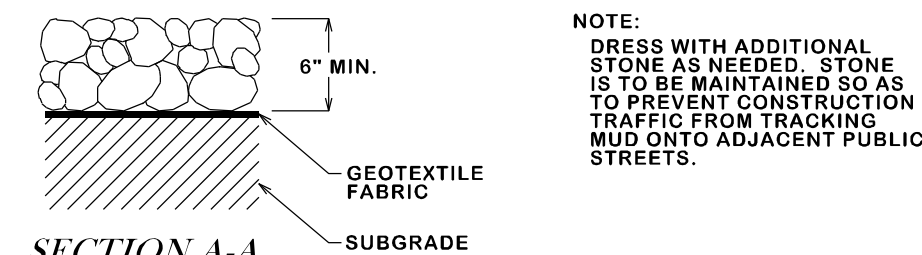
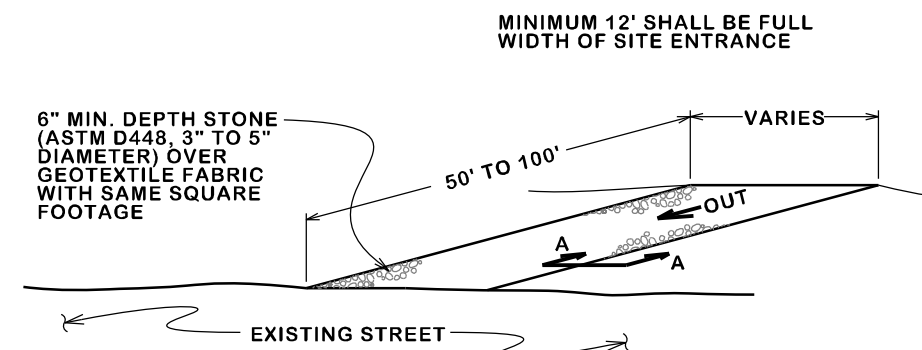
SWPP1-00

NOTE:
HAY BALES ARE USED TO DETAIN AND/OR FILTER SEDIMENT-LADEN RUNOFF. THE PROTECTION ALLOWS SEDIMENT TO SETTLE PRIOR TO DISCHARGE INTO A STORM DRAIN INLET OR CATCH BASIN.



EROSION CONTROL ALONG DITCH

SWPP1-01



NOTE:
DRESS WITH ADDITIONAL STONE AS NEEDED. STONE IS TO BE MAINTAINED SO AS TO PREVENT CONSTRUCTION TRAFFIC FROM TRACKING MUD ONTO ADJACENT PUBLIC STREETS.

CONSTRUCTION EXIT SILT CONTROL

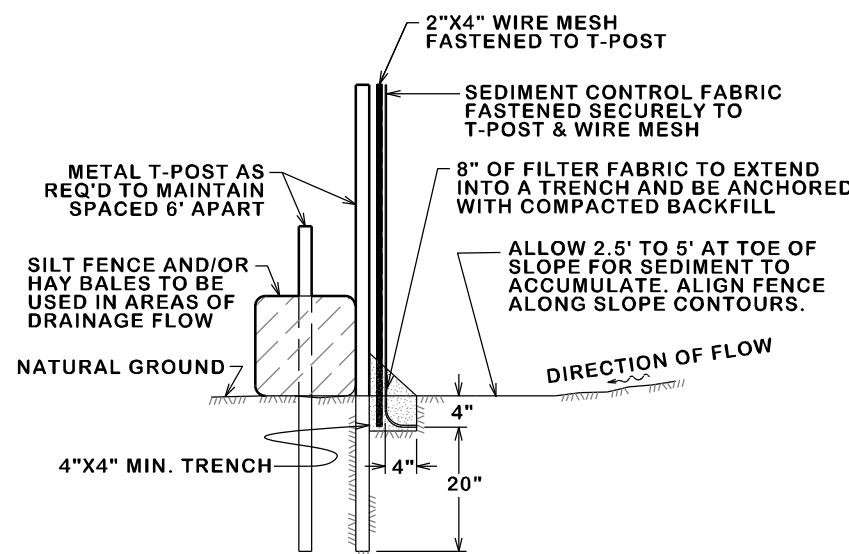
SWPP1-02

GENERAL NOTES:

ALL AREAS WHERE EXISTING VEGETATION AND GRASS COVER HAVE BEEN BARED BY CONSTRUCTION SHALL BE ADEQUATELY BLOCK SODDED OR HYDROMULCHED AND WATERED UNTIL GROWTH IS ESTABLISHED. IN DEVELOPED AREAS WHERE GRASS IS PRESENT, BLOCK SOD WILL BE REQUIRED. BARED AREAS SHALL BE SEEDED OR SODDED WITHIN 14 CALENDAR DAYS OF LAST DISTURBANCE.

APPROVED EROSION CONTROL MEASURES MUST BE INSTALLED DURING THE ENTIRE TIME THAT EARTH HAS BEEN BARED BY CONSTRUCTION AND SHALL STAY IN PLACE UNTIL ACCEPTABLE VEGETATIVE GROWTH IS ESTABLISHED AFTER CONSTRUCTION IS COMPLETE AND THEN REMOVED BY CONTRACTOR.

ALL EROSION CONTROL MEASURES SHOULD BE CLEANED OF SILT AFTER EVERY RAIN.



SILT FENCE ASSEMBLY

SWPP1-03

REVISIONS

BRYAN - COLLEGE STATION
STANDARD STORM WATER
POLLUTION PREVENTION DETAILS



DRAWN BY: C.L.M.
DATE: 08-01-12
SCALE: N T S
APPROVED: W.P.K.
FIGURE:
SWPP1
SHEET 1 OF 1